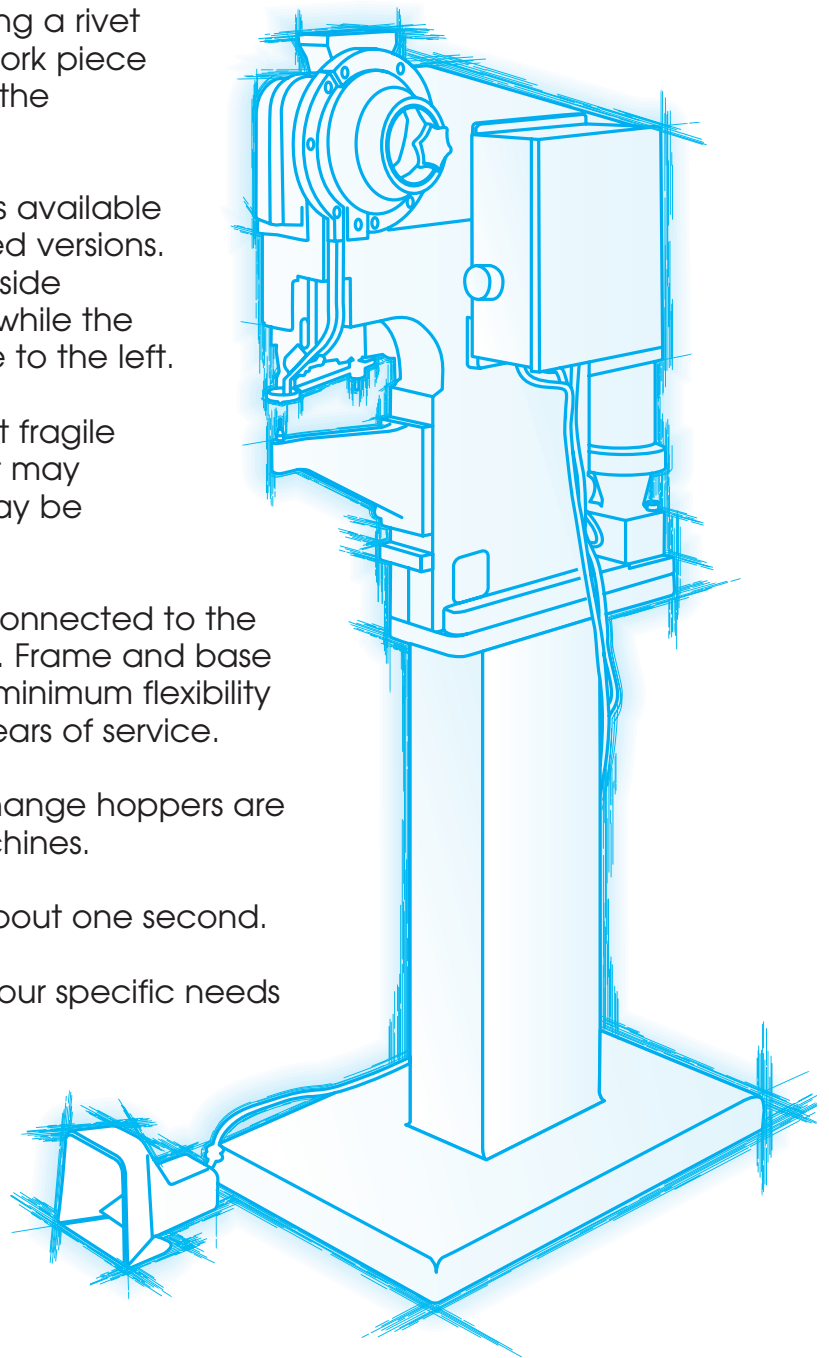


Pneumatic Single Head Machines



The 2410, 2420, 2610 and 2620 are variations of the 2400 and 2600 pneumatic machines. While they incorporate the same compensating feature, this group of machines sets only one rivet at a time.

- ↑ These models are well-suited for setting a rivet near a tall vertical side wall on the work piece and can operate as close as 1/4" to the vertical angle and surface.
- ↑ Each of the models in this category is available in both left-handed and right-handed versions. The 2410 series and 2610 series have side clearance on the right of the head, while the 2420 and 2620 series have clearance to the left.
- ↑ These machines are designed to rivet fragile parts, brittle materials and parts that may vary in thickness. Setting pressures may be carefully controlled.
- ↑ A heavy duty rocker arm is directly connected to the air cylinder for precision load control. Frame and base are of welded steel construction for minimum flexibility and maximum durability providing years of service.
- ↑ Advancing jaw carriers and quick change hoppers are other features of these National machines.
- ↑ These setters have a cycle time of about one second.
- ↑ Each model can be customized to your specific needs and requirements.



2420FA-2420BA

Pneumatic Machines



Model 2420BA



Model 2420FA

Model 2420BA Specifications

Rivet Capacity	.058" dia. x .437" length, min. .125" dia. x .750" length, max. Specials to 1.250" length, max.
Throat Depth	8"
Stroke	1.875" and 2.375"
Hopper	Rotary
Cycle Time	Approx. 1 second
Upset Force	Variable
Power	Pneumatic/115v controls
Operating Air Pressure	30 - 80 P.S.I. (variable)
Weight	235#
Floor Space	H: 34" W: 9.5" D: 29"

Model 2420FA Specifications

Rivet Capacity	.058" dia. x .437" length, min. .125" dia. x .750" length, max. Specials to 1.250" length, max.
Throat Depth	8"
Stroke	1.875" and 2.375"
Hopper	Rotary
Cycle Time	Approx. 1 second
Upset Force	Variable
Power	Pneumatic/115v controls
Operating Air Pressure	30 - 80 P.S.I. (variable)
Weight	400#
Floor Space	H: 64" W: 18" D: 29"